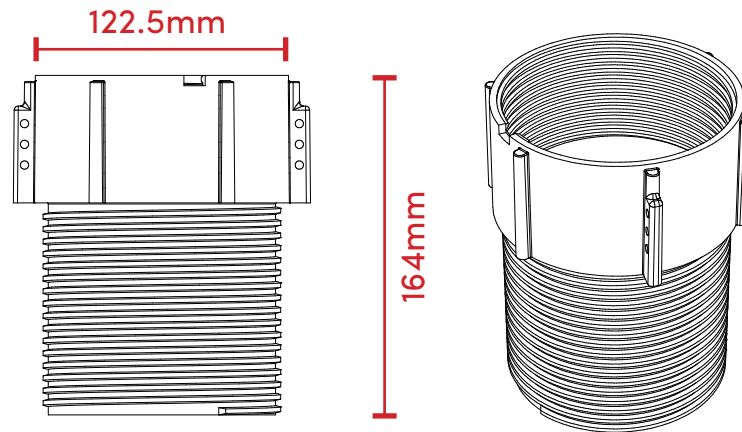




DATA SHEET

PEDESTAL EXTENSION

PNM



TECHNICAL SPECIFICATION:

Supply and installation of extensions for raised floors type "Pedestal NM" adjustable in height. The extensions are composed of a body having both external and internal threads and are provided with anti-screwing locks. The total height is 164mm.

This product must be combined with NM3-4-5 supports.

CHARACTERISTICS:

Double height adjustment
Anti-screwing safety lock

RAW MATERIAL:

Polypropylene

ENVIRONMENTAL IMPACT:

recyclable material - not dangerous

FIELD OF USE (ASSOCIATED SUPPORT):

NM3/NM4/NM5 Pedestal supports

GENERAL CHARACTERISTICS & PROPERTIES

	UNIT	VALUE	TOLERANCE +/-
EXTERNAL DIAMETER	mm	122.5	+/- 1.0
HEIGHT	mm	164	+/- 0.2
SHORE	Shore d	70	+/- 3
WEIGHT	Kg	0.34	+/- 0.05
FIRE REACTION*	UNI-EN 13501-1:2009	CLASS E	
LOW T(°C) REACTION	°C	-40	

*Tests made by Giordano S.p.A. Institute of Bellaria-Igea Marina (RN)-Italy

EXTENSION COMPOSITIONS WITH NM SUPPORT

COD:	HEIGHT	HEIGHT + 1PNM	HEIGHT + 2PNM	HEIGHT + 3PNM
NM3	60-100mm	-	275-395mm	380-540mm
NM4	90-160mm	195-305mm	305-450mm	410-590mm
NM5	150-270mm	300-415mm	410-555 mm	-

INSTALLATION METHOD: The product is laid dry, without the need for adhesives or other types of fixings.

The above data are relevant to current production and may be changed or updated by Eterno Ivica at any time without notice. Given the many possible uses and the possible interference of external elements, we do not assume responsibility for the results. The buyer is required to establish under their own responsibility the suitability of the product for the intended use. This document is property of Eterno Ivica. All rights reserved.