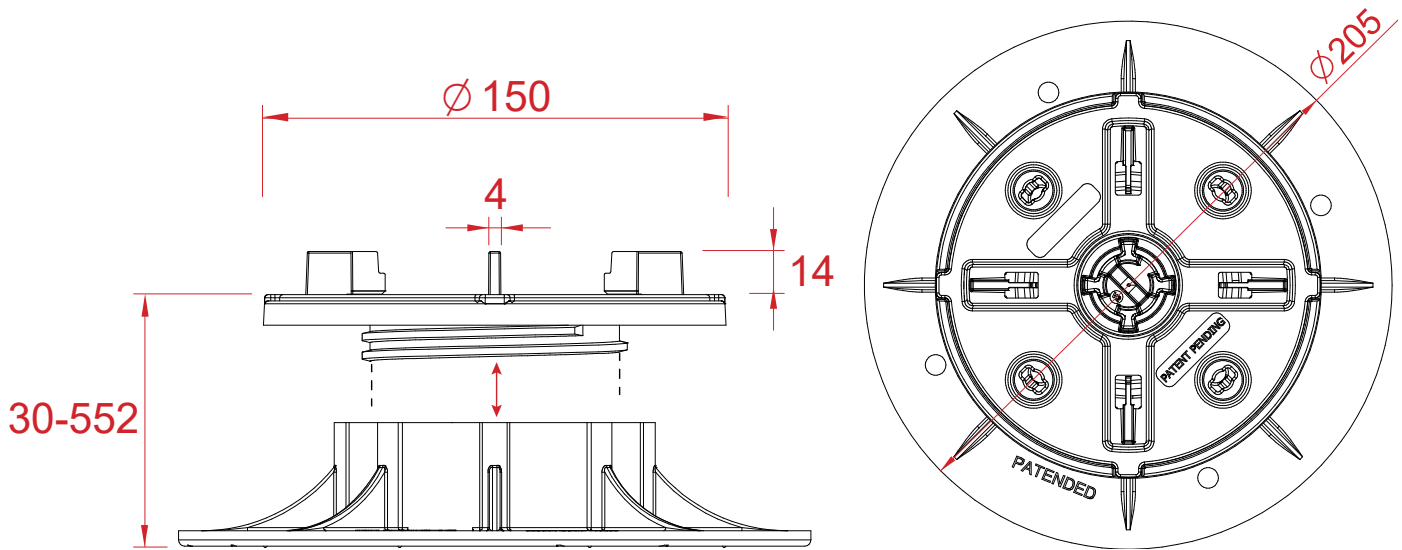


# TECHNICAL DATA SHEET

## PEDESTAL SEW



### TECHNICAL SPECIFICATION:

Supply and installation of supports for raised floors type "Eterno SE windproof", adjustable in height, equipped with bi-material tilting self-levelling head, with anti-noise and anti-slip rubber finish. The supports are composed of polypropylene elements consisting of a cylindrical base with a minimum diameter of 205mm, a screw with an adjustable height from 30mm up to 552mm, equipped with an anti-screwing safety lock and a head equipped with N°4 spacer tabs with a thickness of either 2, 3, or 4mm and a height of 12mm. These tabs are designed for the insertion of particular metal clips that lock the flooring plate on the head of the support. In the base there are holes for the outflow of water and N°4 grooves to facilitate the cutting if needed. The height adjustment is carried out using the tailored adjustment key, which acts on the screw independently from both the head and the base. It is possible to increase the height of the supports by using the P1 extension

### CHARACTERISTICS:

Adjustable in height  
Bi-component self levelling head (PP and rubber)  
Slope compensation from 0% to 5%  
Tailored key for height adjustment  
Anti-screwing safety lock

### RAW MATERIAL:

Polypropylene and rubber (head top finishing)

### ENVIRONMENTAL IMPACT:

recyclable material - not dangerous

### APPLICATIONS SURFACES:

On any waterproofing membrane  
On any insulating hard panel  
On any compact and solid surface

### APPLICATIONS AREA:

Can be used with any prefabricated self supporting element for outdoor flooring

### GENERAL CHARACTERISTICS & PROPERTIES

	UNIT	VALUE	TOLERANCE +/-
BASE DIAMETER	mm	205	+/- 1.0
BASE THICKNESS	mm	5	+/- 0.2
HEAD DIAMETER	mm	150	+/- 0.8
SURFACE OF THE BASE	cmq	330	+/- 5
TABS THICKNESS	mm	4	+/- 0.2
TABS HEIGHT	mm	14	+/- 0.2
SHORE	Shore d	70	+/- 3
SLOPE CORRECTION	%	5	+/- 0.5
FIRE REACTION*	UNI-EN 13501-1:2009	classE	
LOW T(°C) REACTION	°C	-40	
RESISTANCE TO WIND DEPRESSION **	Pa	700	

\*Tests made by Giordano S.p.A. Institute of Bellaria-Igea Marina (RN)-Italy

\*\*Tests made by Giordano S.p.A. Institute of Bellaria-Igea Marina (RN)-Italy 1Pa  $\approx$  0.1Kg/m<sup>2</sup>



# TECHNICAL DATA SHEET

## PEDESTAL SEW

### ITEMS CHARACTERISTICS & PROPERTIES

<b>SEW 0_E440030040</b>	UNIT	VALUE	TOLERANCE	PACK/STORAGE	
min HEIGHT	mm	30	+/- 1,0	PIECES PER BOX	40
MAX HEIGHT	mm	40	+/- 1,5	BOXES PER PALLET	45
WEIGHT	kg	0.27	+/- 5 %	BOX DIMENSION	46x40x33.5cm
MAX CENTRAL COMPRESSION RESISTANCE*	kN	20	/	BOX WEIGHT	10.8kg
MAX ECCENTRIC COMPRESSION RESISTANCE*	kN	11.5	/	PALLET /Pcs PER PALLET	80x120cm/1800

<b>SEW 1_E440039052</b>	UNIT	VALUE	TOLERANCE	PACK/STORAGE	
min HEIGHT	mm	39.5	+/- 1,0	PIECES PER BOX	30
MAX HEIGHT	mm	52	+/- 1,5	BOXES PER PALLET	45
WEIGHT	kg	0.34	+/- 5 %	BOX DIMENSION	46x40x33.5cm
MAX CENTRAL COMPRESSION RESISTANCE*	kN	16	/	BOX WEIGHT	10.5kg
MAX ECCENTRIC COMPRESSION RESISTANCE*	kN	11.5	/	PALLET /Pcs PER PALLET	80x120cm/1350

<b>SEW 2_E440052077</b>	UNIT	VALUE	TOLERANCE	PACK/STORAGE	
min HEIGHT	mm	52	+/- 1,0	PIECES PER BOX	25
MAX HEIGHT	mm	77	+/- 1,5	BOXES PER PALLET	45
WEIGHT	kg	0.425	+/- 5 %	BOX DIMENSION	46x40x33.5cm
MAX CENTRAL COMPRESSION RESISTANCE*	kN	16.5	/	BOX WEIGHT	10.8kg
MAX ECCENTRIC COMPRESSION RESISTANCE*	kN	14	/	PALLET /Pcs PER PALLET	80x120cm / 1125

<b>SEW 3_E440077122</b>	UNIT	VALUE	TOLERANCE	PACK/STORAGE	
min HEIGHT	mm	77	+/- 1,0	PIECES PER BOX	25
MAX HEIGHT	mm	122	+/- 1,5	BOXES PER PALLET	30
WEIGHT	kg	0.54	+/- 5 %	BOX DIMENSION	39.5x60x38cm
MAX CENTRAL COMPRESSION RESISTANCE*	kN	19.5	/	BOX WEIGHT	13.7kg
MAX ECCENTRIC COMPRESSION RESISTANCE*	kN	15	/	PALLET /Pcs PER PALLET	80x120cm / 750

<b>SEW 4_E440122172</b>	UNIT	VALUE	TOLERANCE	PACK/STORAGE	
min HEIGHT	mm	122	+/- 1,0	PIECES PER BOX	25
MAX HEIGHT	mm	172	+/- 1,5	BOXES PER PALLET	24
WEIGHT	kg	0.6	+/- 5 %	BOX DIMENSION	39.5x60x38cm
MAX CENTRAL COMPRESSION RESISTANCE*	kN	21	/	BOX WEIGHT	15.3kg
MAX ECCENTRIC COMPRESSION RESISTANCE*	kN	18	/	PALLET /Pcs PER PALLET	80x120cm / 600

<b>SEW 5_E440172217</b>	UNIT	VALUE	TOLERANCE	PACK/STORAGE	
min HEIGHT	mm	172	+/- 1,0	PIECES PER BOX	25
MAX HEIGHT	mm	217	+/- 1,5	BOXES PER PALLET	20
WEIGHT	kg	0.61	+/- 5 %	BOX DIMENSION	40x62x40cm
MAX CENTRAL COMPRESSION RESISTANCE*	kN	19	/	BOX WEIGHT	15.5kg
MAX ECCENTRIC COMPRESSION RESISTANCE*	kN	15	/	PALLET /Pcs PER PALLET	80x120cm / 500



# TECHNICAL DATA SHEET

## PEDESTAL SEW

### ITEMS CHARACTERISTICS & PROPERTIES

<b>SEW 6_E440142232</b>	UNIT	VALUE	TOLERANCE	PACK/STORAGE	
min HEIGHT	mm	142	+/- 1,0	PIECES PER BOX	25SE3 + 25P1
MAX HEIGHT	mm	232	+/- 1,5	BOXES PER PALLET	30 + 42
WEIGHT	kg	0.78	+/- 5 %	BOX DIMENSION	39.5x60x38cm 29.5x39x39cm
MAX CENTRAL COMPRESSION RESISTANCE*	kN	16.3	/	BOX WEIGHT	13.7kg + 6kg
MAX ECCENTRIC COMPRESSION RESISTANCE*	kN	11	/	PALLET /Pcs PER PALLET	80x120cm 750+1050

<b>SEW 7_E440187277</b>	UNIT	VALUE	TOLERANCE	PACK/STORAGE	
min HEIGHT	mm	187	+/- 1,0	PIECES PER BOX	25SE4 +25 P1
MAX HEIGHT	mm	277	+/- 1,5	BOXES PER PALLET	24 / 42
WEIGHT	kg	0.84	+/- 5 %	BOX DIMENSION	39.5x60x38cm 29.5x39x39cm
MAX CENTRAL COMPRESSION RESISTANCE*	kN	16.4	/	BOX WEIGHT	15.3kg + 6kg
MAX ECCENTRIC COMPRESSION RESISTANCE*	kN	12.3	/	PALLET /Pcs PER PALLET	80x120cm 600+1050

<b>SEW 8_E440237327</b>	UNIT	VALUE	TOLERANCE	PACK/STORAGE	
min HEIGHT	mm	237	+/- 1,0	PIECES PER BOX	25SE5 + 25P1
MAX HEIGHT	mm	327	+/- 1,5	BOXES PER PALLET	20 / 42
WEIGHT	kg	0.85	+/- 5 %	BOX DIMENSION	40x62x40cm 29.5x39x39cm
MAX CENTRAL COMPRESSION RESISTANCE*	kN	15	/	BOX WEIGHT	15.2kg + 6kg
MAX ECCENTRIC COMPRESSION RESISTANCE*	kN	12.7	/	PALLET /Pcs PER PALLET	80x120cm 500+1050

<b>SEW 9_E440207347</b>	UNIT	VALUE	TOLERANCE	PACK/STORAGE	
min HEIGHT	mm	207	+/- 1,0	PIECES PER BOX	25SE3+25P1(X2)
MAX HEIGHT	mm	347	+/- 1,5	BOXES PER PALLET	30 / 42(X2)
WEIGHT	kg	1.04	+/- 5 %	BOX DIMENSION	39.5x60x38cm 29.5x39x39cm
MAX CENTRAL COMPRESSION RESISTANCE*	kN	15.3	/	BOX WEIGHT	13.7kg+6kg(X2)
MAX ECCENTRIC COMPRESSION RESISTANCE*	kN	11	/	PALLET /Pcs PER PALLET	80x120cm 750+2100

<b>SEW 10_E440252387</b>	UNIT	VALUE	TOLERANCE	PACK/STORAGE	
min HEIGHT	mm	252	+/- 1,0	PIECES PER BOX	25SE4+25P1(X2)
MAX HEIGHT	mm	387	+/- 1,5	BOXES PER PALLET	24 / 42(X2)
WEIGHT	kg	1.08	+/- 5 %	BOX DIMENSION	39.5x60x38cm 29.5x39x39cm
MAX CENTRAL COMPRESSION RESISTANCE*	kN	15	/	BOX WEIGHT	15.3kg+6kg(X2)
MAX ECCENTRIC COMPRESSION RESISTANCE*	kN	12.30	/	PALLET /Pcs PER PALLET	80x120cm 600+2100

<b>SEW 11_E440302402</b>	UNIT	VALUE	TOLERANCE	PACK/STORAGE	
min HEIGHT	mm	302	+/- 1,0	PIECES PER BOX	25SE5+25P1(X2)
MAX HEIGHT	mm	402	+/- 1,5	BOXES PER PALLET	20 / 42(X2)
WEIGHT	kg	1.1	+/- 5 %	BOX DIMENSION	40x62x40cm 29.5x39x39cm
MAX CENTRAL COMPRESSION RESISTANCE*	kN	15	/	BOX WEIGHT	15.5kg+6kg(X2)
MAX ECCENTRIC COMPRESSION RESISTANCE*	kN	13.8	/	PALLET /Pcs PER PALLET	80x120cm 500+2100



# TECHNICAL DATA SHEET

## PEDESTAL SEW

### ITEMS CHARACTERISTICS & PROPERTIES

<b>SEW 12_E440272457</b>	UNIT	VALUE	TOLERANCE	PACK/STORAGE	
min HEIGHT	mm	272	+/- 1,0	PIECES PER BOX	25SE3+25 P1(X3)
MAX HEIGHT	mm	457	+/- 1,5	BOXES PER PALLET	30 / 42(X3)
WEIGHT	kg	1.28	+/- 5 %	BOX DIMENSION	39.5x60x38cm 29.5x39x39cm
MAX CENTRAL COMPRESSION RESISTANCE*	kN	15.85	/	BOX WEIGHT	13.7kg+6kg(X3)
MAX ECCENTRIC COMPRESSION RESISTANCE*	kN	11.1	/	PALLET /Pcs PER PALLET	80x120cm 750+3150

<b>SEW 13_E440317502</b>	UNIT	VALUE	TOLERANCE	PACK/STORAGE	
min HEIGHT	mm	317	+/- 1,0	PIECES PER BOX	25SE4+25P1(X3)
MAX HEIGHT	mm	502	+/- 1,5	BOXES PER PALLET	24 / 42(X3)
WEIGHT	kg	1.31	+/- 5 %	BOX DIMENSION	39.5x60x38cm 29.5x39x39cm
MAX CENTRAL COMPRESSION RESISTANCE*	kN	15.2	/	BOX WEIGHT	15.3kg+6kg(X3)
MAX ECCENTRIC COMPRESSION RESISTANCE*	kN	12	/	PALLET /Pcs PER PALLET	80x120cm 600+3150

<b>SEW 14_E440367552</b>	UNIT	VALUE	TOLERANCE	PACK/STORAGE	
min HEIGHT	mm	367	+/- 1,0	PIECES PER BOX	25 SE5+25P1(X3)
MAX HEIGHT	mm	552	+/- 1,5	BOXES PER PALLET	20 / 42(X3)
WEIGHT	kg	1.32	+/- 5 %	BOX DIMENSION	40x62x40cm 29.5x39x39cm
MAX CENTRAL COMPRESSION RESISTANCE*	kN	16.1	/	BOX WEIGHT	15.5kg+6kg(X3)
MAX ECCENTRIC COMPRESSION RESISTANCE*	kN	12	/	PALLET /Pcs PER PALLET	80x120cm 500+3150

\*Prove effettuate dal Dipartimento di Ingegneria Civile, Edile e Ambientale dell'Università degli studi di Padova. 1 kN = 102 Kg

L'imballo dei supporti è costituito da scatole di cartone. L'imballaggio finale dei bancali è realizzato con l'avvolgimento di un film in polietilene. Si consiglia lo stoccaggio al coperto, protetto dalle precipitazioni.

**MODALITÀ DI POSA:** Il prodotto viene posato a secco, senza necessità di collanti o altri tipi di fissaggi.

The above data are relevant to current production and may be changed or updated by Eterno Ivica at any time without notice. Given the many possible uses and the possible interference of external elements, we do not assume responsibility for the results. The buyer is required to establish under their own responsibility the suitability of the product for the intended use. This document is property of Eterno Ivica. All rights reserved.