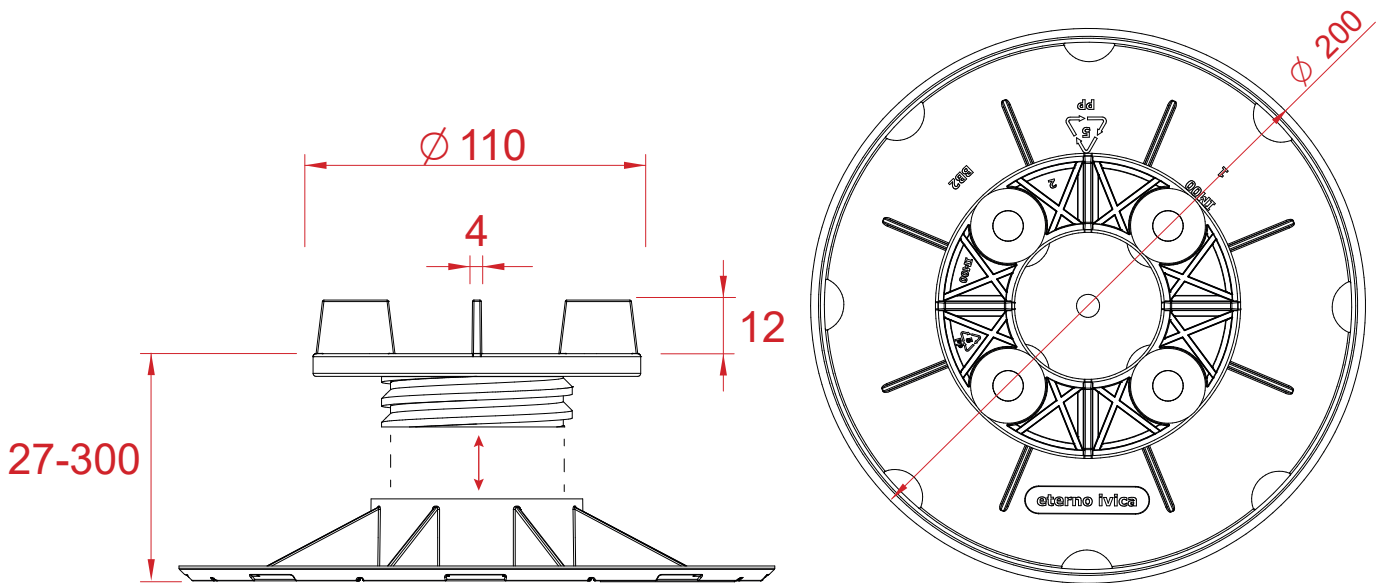


TECHNICAL DATA SHEET

PEDESTAL SB



TECHNICAL SPECIFICATION:

Supply and installation of supports for raised floors type "SB", adjustable in height. The supports are composed of polypropylene elements composed of a cylindrical base with a minimum diameter of 196mm, a screw with an adjustable height from 27mm up to 120mm, with an integrated head equipped with N°4 spacer tabs with a thickness of either 2, 3, or 4mm and a height of 12mm.

In the base there are holes for the outflow of water and N°4 grooves to facilitate the cutting if needed. It is possible to increase the height of the supports by using the PSB extension, through which the maximum height of 300mm is reached.

Slope compensation is performed by using the TWIST TW compensator.

CHARACTERISTICS:

Adjustable in height

RAW MATERIAL:

Polypropylene

ENVIRONMENTAL IMPACT:

recyclable material - not dangerous

APPLICATIONS SURFACES:

On any waterproofing membrane

On any insulating hard panel

On any compact and solid surface

APPLICATIONS AREA:

Can be used with any prefabricated self supporting element for outdoor flooring

GENERAL CHARACTERISTICS & PROPERTIES

	UNIT	VALUE	TOLERANCE +/-
BASE DIAMETER	mm	200	+/- 1.0
BASE THICKNESS	mm	3	+/- 0.2
HEAD DIAMETER	mm	110	+/- 0.8
SURFACE OF THE BASE	cmq	301	+/- 5
TABS THICKNESS	mm	4	+/- 0.2
TABS HEIGHT	mm	12	+/- 0.2
SHORE	Shore d	70	+/- 3
FIRE REACTION*	UNI-EN 13501-1:2009	CLASSE "E"	
LOW T(°C) REACTION	°C	-40	

*Tests made by Giordano S.p.A. Institute of Bellaria-Igea Marina (RN)-Italy



TECHNICAL DATA SHEET

PEDESTAL SB

ITEMS CHARACTERISTICS & PROPERTIES

SB1_E015427035	UNIT	VALUE	TOLERANCE	PACK/STORAGE	
min HEIGHT	mm	27	+/- 1,0	PIECES PER BOX	40
MAX HEIGHT	mm	35	+/- 1,5	BOXES PER PALLET	42
WEIGHT	kg	0.166	+/- 5 %	BOX DIMENSION	39x39x29.5cm
MAX CENTRAL COMPRESSION RESISTANCE*	kN	11.4	/	BOX WEIGHT	7kg
				PALLET /Pcs PER PALLET	80x120cm/1680

SB2_E015435050	UNIT	VALUE	TOLERANCE	PACK/STORAGE	
min HEIGHT	mm	35	+/- 1,0	PIECES PER BOX	30
MAX HEIGHT	mm	50	+/- 1,5	BOXES PER PALLET	42
WEIGHT	kg	0.184	+/- 5 %	BOX DIMENSION	39x39x29.5cm
MAX CENTRAL COMPRESSION RESISTANCE*	kN	13.8	/	BOX WEIGHT	6kg
				PALLET /Pcs PER PALLET	80x120cm/1260

SB3_E015450080	UNIT	VALUE	TOLERANCE	PACK/STORAGE	
min HEIGHT	mm	50	+/- 1,0	PIECES PER BOX	35
MAX HEIGHT	mm	80	+/- 1,5	BOXES PER PALLET	30
WEIGHT	kg	0.206	+/- 5 %	BOX DIMENSION	39.5x39.5x42cm
MAX CENTRAL COMPRESSION RESISTANCE*	kN	14.3	/	BOX WEIGHT	7.5kg
				PALLET /Pcs PER PALLET	80x120cm/1050

SB4_E015470120	UNIT	VALUE	TOLERANCE	PACK/STORAGE	
min HEIGHT	mm	70	+/- 1,0	PIECES PER BOX	25
MAX HEIGHT	mm	120	+/- 1,5	BOXES PER PALLET	30
WEIGHT	kg	0.250	+/- 5 %	BOX DIMENSION	39.5x39.5x42cm
MAX CENTRAL COMPRESSION RESISTANCE*	kN	13.7	/	BOX WEIGHT	6.5kg
				PALLET /Pcs PER PALLET	80x120cm / 750

SB5_E015481117	UNIT	VALUE	TOLERANCE	PACK/STORAGE	
min HEIGHT	mm	112	+/- 1,0	PIECES PER BOX	35 SB3 + 50PSB
MAX HEIGHT	mm	168	+/- 1,5	BOXES PER PALLET	30 + 42
WEIGHT	kg	0.285	+/- 5 %	BOX DIMENSION	39.5x39.5x42cm 39x39x29.5cm
MAX CENTRAL COMPRESSION RESISTANCE*	kN	8.4	/	BOX WEIGHT	7.5kg + 4kg
				PALLET /Pcs PER PALLET	80x120cm 1050 + 2100

SB6_E015481320	UNIT	VALUE	TOLERANCE	PACK/STORAGE	
min HEIGHT	mm	132	+/- 1,0	PIECES PER BOX	25 SB4 + 50PSB
MAX HEIGHT	mm	210	+/- 1,5	BOXES PER PALLET	30 + 42
WEIGHT	kg	0.330	+/- 5 %	BOX DIMENSION	39.5x39.5x42cm 39x39x29.5cm
MAX CENTRAL COMPRESSION RESISTANCE*	kN	8.4	/	BOX WEIGHT	6.5kg + 4kg
				PALLET /Pcs PER PALLET	80x120cm 750 + 2100



TECHNICAL DATA SHEET

PEDESTAL SB

ITEMS CHARACTERISTICS & PROPERTIES

SB7_E015481726	UNIT	VALUE	TOLERANCE	PACK/STORAGE	
min HEIGHT	mm	175	+/- 1,0	PIECES PER BOX	35SB3+50PSB(X2)
MAX HEIGHT	mm	260	+/- 1,5	BOXES PER PALLET	30 + 42(X2)
WEIGHT	kg	0.370	+/- 5 %	BOX DIMENSION	39.5x39.5x42cm 39x39x29.5cm
MAX CENTRAL COMPRESSION RESISTANCE*	kN	7.6	/	BOX WEIGHT	7.5kg + 4kg (X2)
				PALLET /Pcs PER PALLET	80x120cm 1050 + 2100

SB8_E015481929	UNIT	VALUE	TOLERANCE	PACK/STORAGE	
min HEIGHT	mm	195	+/- 1,0	PIECES PER BOX	25SB4+50PSB(X2)
MAX HEIGHT	mm	300	+/- 1,5	BOXES PER PALLET	30 + 42 (X2)
WEIGHT	kg	0.410	+/- 5 %	BOX DIMENSION	39.5x39.5x42cm 39x39x29.5cm
MAX CENTRAL COMPRESSION RESISTANCE*	kN	7.6	/	BOX WEIGHT	6.5kg + 4kg (X2)
				PALLET /Pcs PER PALLET	80x120cm 750 + 2100

*Tests made by the ECAMRICERT S.R.L. Research and Analysis Laboratory (1 kN = 102 kg)

The packaging of the supports consists of cardboard boxes. The final packaging of the pallets is made with the wrapping of a polyethylene film. Indoor storage, protected from precipitation, is recommended.

INSTALLATION METHOD: The product is laid dry, without the need for adhesives or other types of fixings.

The above data are relevant to current production and may be changed or updated by Eterno Ivica at any time without notice. Given the many possible uses and the possible interference of external elements, we do not assume responsibility for the results. The buyer is required to establish under their own responsibility the suitability of the product for the intended use. This document is property of Eterno Ivica. All rights reserved.