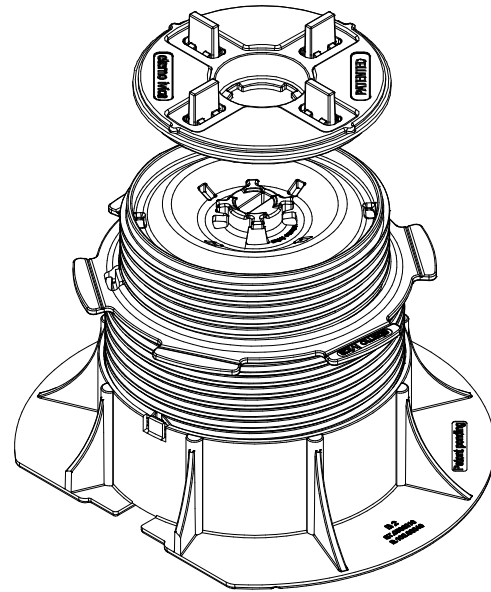
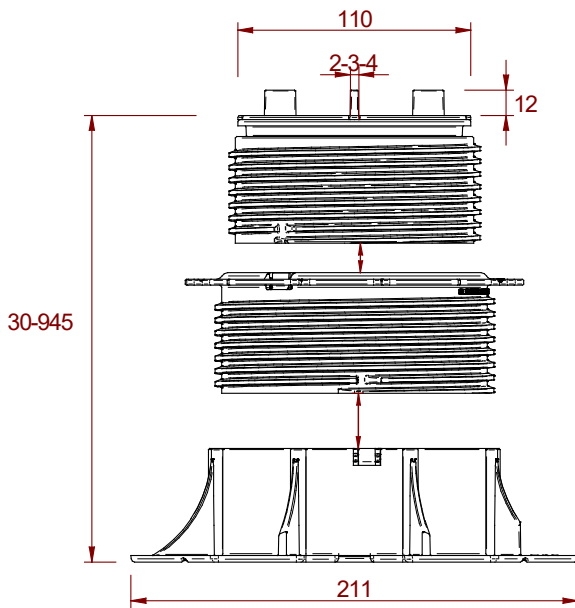


# TECHNICAL DATA SHEET

## PEDESTAL PRIME



### TECHNICAL SPECIFICATION:

Supply and installation of supports for raised floors type "PEDESTAL PRIME", adjustable in height, equipped with bi-material tilting self-levelling head, with anti-noise and anti-slip rubber finish. The supports are composed of 3 polypropylene elements consisting of: a specially shaped base with a diameter of 211 mm and a minimum width on the profiled side of 187.5 mm, a first screw having both external and internal threads; and a second screw which has a hemispherical zone in the upper part. All these elements are equipped with an anti-screwing safety lock. The height varies between 30 mm up to 945 mm. The head is equipped with N°4 spacer tabs with a thickness of either 2, 3, or 4 mm and a height of 12 mm easily removable if necessary. In the pre-cut base there are holes for the outflow of water and N°3 grooves to facilitate the cutting if needed. The height adjustment is carried out using the tailored adjustment key, which acts on the screw independently from both the head and the base. It is possible to increase the height of the supports by using the PPR extension.

### CHARACTERISTICS:

- Double height adjustment
- Bi-component self levelling head (PP and rubber)
- Slope compensation from 0% to 5%
- Tailored key for height adjustment
- Easy removable tabs
- Anti-screwing safety lock
- Base designed for quick insertion of the vertical infill clip

### RAW MATERIAL:

Polypropylene and rubber (head top finishing)

### ENVIRONMENTAL IMPACT:

recyclable material - not dangerous

### APPLICATIONS SURFACES:

- On any waterproofing membrane
- On any insulating hard panel
- On any compact and solid surface

### APPLICATIONS AREA:

Can be used with any prefabricated self supporting element for outdoor flooring

## GENERAL CHARACTERISTICS & PROPERTIES

	UNIT	VALUE	TOLERANCE +/-
<b>BASE DIAMETER</b>	mm	211	+/- 1.0
<b>BASE THICKNESS</b>	mm	5	+/- 0.2
<b>HEAD DIAMETER</b>	mm	110-130-150	+/- 0.8
<b>SURFACE OF THE BASE</b>	cmq	320	+/- 5
<b>TABS THICKNESS</b>	mm	2-3-4	+/- 0.2
<b>TABS HEIGHT</b>	mm	12	+/- 0.2
<b>SHORE</b>	Shore d	70	+/- 3
<b>SLOPE CORRECTION</b>	%	5	+/- 0-5
<b>FIRE REACTION*</b>	UNI-EN 13501-1:2009	CLASSE "E"	
<b>LOW T(°C) REACTION</b>	°C	-40	

\*Tests made by Giordano S.p.A. Institute of Bellaria-Igea Marina (RN)-Italy



# TECHNICAL DATA SHEET

## PEDESTAL PRIME

### ITEMS CHARACTERISTICS & PROPERTIES

<b>PR1_E502030065*</b>	UNIT	VALUE	TOLERANCE	PACK/STORAGE	
min HEIGHT	mm	30	+/- 1,0	PIECES PER BOX	25
MAX HEIGHT	mm	65	+/- 1,5	BOXES PER PALLET	54
WEIGHT	kg	0.263	+/- 5 %	BOX DIMENSION	39.5x39.5x25cm
MAX CENTRAL COMPRESSION RESISTANCE**	kN	22.5	/	BOX WEIGHT	8.25kg
				PALLET /PZ PER PALLET	80x120cm / 1350

\*The code refers to BASE + SCREW + INTEGRATED EXTENSION.

<b>PR2_E502060155*</b>	UNIT	VALUE	TOLERANCE	PACK/STORAGE	
min HEIGHT	mm	65	+/- 1,0	PIECES PER BOX	25
MAX HEIGHT	mm	155	+/- 1,5	BOXES PER PALLET	30
WEIGHT	kg	0.465	+/- 5 %	BOX DIMENSION	39.5x39.5x46cm
MAX CENTRAL COMPRESSION RESISTANCE**	kN	23.5	/	BOX WEIGHT	13kg
				PALLET /PZ PER PALLET	80x120cm / 750

\*The code refers to BASE + SCREW + INTEGRATED EXTENSION.

<b>PR3_E502150420*</b>	UNIT	VALUE	TOLERANCE	PACK/STORAGE	
min HEIGHT	mm	155	+/- 1,0	PIECES PER BOX	12
MAX HEIGHT	mm	420	+/- 1,5	BOXES PER PALLET	28
WEIGHT	kg	0.920	+/- 5 %	BOX DIMENSION	39.5x39.5x47cm
MAX CENTRAL COMPRESSION RESISTANCE**	kN	20	/	BOX WEIGHT	11.52kg
				PALLET /PZ PER PALLET	80x120cm / 336

\*The code refers to BASE + SCREW + INTEGRATED EXTENSION.

### GREAT HEIGHTS COMPOSITION

<b>PR3 + 1 EXTENSION</b>	UNIT	VALUE	TOLERANCE
min HEIGHT	mm	315	+/- 1,0
MAX HEIGHT	mm	595	+/- 1,5
MAX CENTRAL COMPRESSION RESISTANCE**	kN	13.5	/

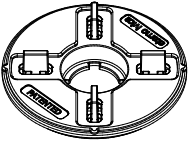
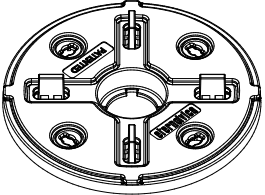
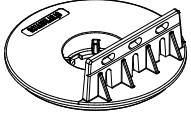
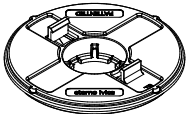
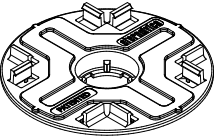
<b>PR3 + 2 EXTENSION</b>	UNIT	VALUE	TOLERANCE
min HEIGHT	mm	415	+/- 1,0
MAX HEIGHT	mm	770	+/- 1,5
MAX CENTRAL COMPRESSION RESISTANCE**	kN	10.9	/

<b>PR3 + 3 EXTENSION</b>	UNIT	VALUE	TOLERANCE
min HEIGHT	mm	520	+/- 1,0
MAX HEIGHT	mm	945	+/- 1,5
MAX CENTRAL COMPRESSION RESISTANCE**	kN	11.1	/

\*\*Tests made by the ECAMRICERT S.R.L. Research and Analysis Laboratory (1 kN = 102 kg)



### HEADS COMPATIBILITY WITH PRIME SUPPORT

HEAD	CODE	DESCRIPTION	SIZE	PIECES PER BOX
	E035101204	Two-component self-leveling head	Ø110mm fin thickness 4mm, height 12mm	200
	E035201204	Self-leveling two-component XL head*	Ø150mm fin thickness 4mm, height 12mm	100
	E035102530	Self-leveling head for decking	Ø110 mm	100
	E035100010	Two-component self-leveling head for aluminium joist	Ø110 mm	200
	E035203001	Two-component self-leveling cross head for aluminum joist	Ø130 mm	150

\*With XL head, height of all the PR range increases of 2-3 mm.

The packaging of the supports consists of cardboard boxes. The final packaging of the pallets is made with the wrapping of a polyethylene film. Indoor storage, protected from precipitation, is recommended.

**INSTALLATION METHOD:** The product is laid dry, without the need for adhesives or other types of fixings.

The above data are relevant to current production and may be changed or updated by Eterno Ivica at any time without notice. Given the many possible uses and the possible interference of external elements, we do not assume responsibility for the results. The buyer is required to establish under their own responsibility the suitability of the product for the intended use. This document is property of Eterno Ivica. All rights reserved.